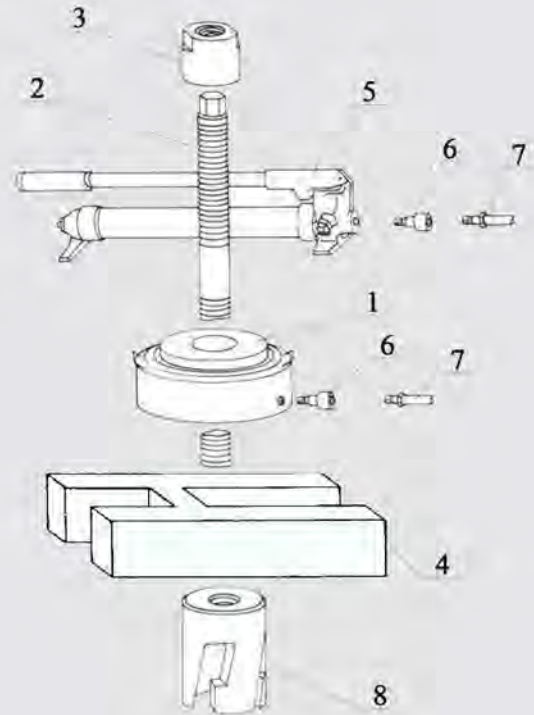


FLUID END MODULE AND ACCESSORIES

HYDRAULIC VALVE SEAT PULLER PARTS & OPERATING INSTRUCTIONS

- 1 Insert head into pot and lock into seat.
Screw stem into head.
- 2 Place H bar over stem and center
over pot bore. Place jack
over stem and on H bar.
- 3 Tighten stem nut onto stem until all slack
is removed. The jack may be strapped
down to eliminate jumping action when
seat breaks loose.
- 4 Attach hose to pump and jack then pump
handle untill seat breaks loose.

Manual Pump(5) Max 10,000 PSI
Hydraulic Jack(1) 170 ton



No.	Part Number	Description
	MK-1700	Valve Seat Puller Assembly complete w/ metal case
1	MK-1701	Hydraulic Jack
	MK-1717	Hydraulic Jack Seal Repair Kit
2	MK-1702	Center Stem
3	MK-1703	Center Stem Nut
4	MK-1704	Puller H Bar
5	MK-1708	Hydraulic Pump
	MK-1718	Hydraulic Pump Repair Kit
6	MK-1713	Gauge Coupler
7	MK-1707	Hydraulic Hose

